

Fence Guard Protective Covers for the Top Rail of Chain Link Fences

**FENCE GUARDS™** Heavy-duty, UV-resistant MDPE polyethylene. Ten 8-foot sections (80') per carton with pre-drilled holes every 2' for securing to fence; one hundred (100) 8" UV-resistant ties included in each carton; full cartons only.

**PREMIUM FENCE GUARDS™**

3" W x 4-1/2" H x 8' Long x .1" wall.  
**SAFETY YELLOW, Dark Green, Red, or Blue.**  
5-Year Limited Manufacturer's Warranty.

**\$185/Box**

**STANDARD FENCE GUARDS™**

2-5/8" W x 4" H x 8' Long x .07" wall.  
**SAFETY YELLOW, Dark Green, Red, White, Blue, or Orange.**  
3-Year Limited Manufacturer's Warranty.

**\$115/Box**

**LITE FENCE GUARDS™**

2-5/8" W x 4" H x 8' Long x .05" wall.  
**SAFETY YELLOW, Dark Green, Red, or Blue.**  
1-Year Limited Manufacturer's Warranty.

**\$75/Box**

Extra Packs of 100 - 8" Black UV-Resistant Ties

**\$10.00/Pk**



**3 Grades  
&  
6 Colors!**



**ALL PRICES SUBJECT TO CHANGE & AVAILABILITY PLUS SHIPPING**

**Econo Guard (Poly-Cap) & Fence Crown Protective Covers for the Top Rail of Chain Link Fences**

**ECONO GUARDS™ (POLY-CAP)** *Bright Safety Yellow, Orange, Dark Green or Black.*

The Original UV-resistant (hi-rib) corrugated poly in rolls, 4" ID x 4-5/8" OD x 1/16" (.0625") wall thickness. Manufactured with the thickest wall creating unequalled durability and UV protection. Fasten with matching yellow, orange, dark green or black 19" Plastic ties (not included) at beginning and end and every 3-5'. 2-Year Manufacturer's Warranty. Ships by common carrier in cardboard box.



250' Roll, 85 lbs.



100' Roll, 35 lbs.

19" Yellow, Orange, Dark Green, or Black  
UV-resistant, reusable Plastic Ties per 100

\$195

\$105

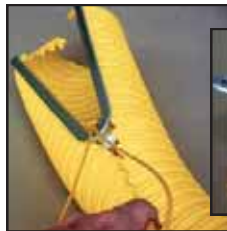
\$23.95

**Please note:** the black color is **NOT** a standard black drain pipe, it contains special UV inhibitors to protect it from deterioration from the sun, however these darker colors (black & forest green) are more susceptible to sun damage as opposed to the original yellow and **NEW** orange color.

**INSTALLATION TOOLS** - Cut installation time by up to 75%. Poly cap can be difficult to spread and hard on your hands and knuckles. Neither of these tools are required, but either one of these tools would make installation easier.

**Solid Steel Poly Cap Installation Tool**

**Zipper Installation Tool**



\$29

\$49

**FENCE CROWN®**

Safety Yellow or Black. 4" ID x 4 1/2" OD. Fasten with matching yellow or black 19" plastic ties (not included) at beginning and end and every 3-5'. Ships by common carrier.

250' Roll—250' to 1,500'  
—more than 1,500'

100' Roll—100' to 1,500'  
—more than 1,500'



\$160  
\$150

\$95  
\$85

19" Yellow or Black UV-resistant,  
reusable **Plastic Ties** per 100

**Zipper Installation Tool**

**WARRANTY**  
FenceCrown® has a 3-year warranty and is certified to contain only 100% virgin resin with no filler.

**OPTIONAL ACCESSORIES**

Easy to secure with 19" tie wraps    Attaching tool makes installation on fence-tops easy

\$23.95

\$49.00

**ALL PRICES SUBJECT TO CHANGE & AVAILABILITY PLUS SHIPPING**

# BEAM CLAY®

**WHOLESALE PRICE LIST**  
EFFECTIVE: JANUARY 1, 2017

Premium & Lite Safety Top Caps Protective Covers for the Top Rail of Chain Link Fences

## PREMIUM SAFETY TOP CAPS™

Heavy-duty, rectangular, protective cover for top rails of chain link fencing. .07" HDPE Plastic with UV stabilizers. Secures with included hog rings through pre-drilled holes. 40 ft. per bag (includes 5—8' sections, 3 hole punched plus 15 hot rings), 20 lbs. **Stock color: Safety Yellow.** 10 standard colors (Dark Green, Royal Blue, Sky Blue, Red, Redwood, Brown, Beige, Grey, Black, White): 1600' minimum (40 bag) order, 4-6 weeks lead time, no returns.

**PREMIUM SAFETY YELLOW**—stock color.

40'/BAG 1—39 bags

40'/BAG 40—119 bags

40'/BAG 120+ bags

**PREMIUM BLACK**—stock color.

40'/BAG 1—39 bags

**10 STANDARD COLORS**—Dark Green, Royal Blue, Sky Blue, Red, Redwood, Brown, Beige, Grey, Black, or White. 1600' minimum (40 bag) order, 4-6 weeks lead time, no returns.

**CUSTOM COLORS**

1600' minimum (40 bag) order, 6-8 weeks lead time, no returns.

**40' PER BAG**

\$75

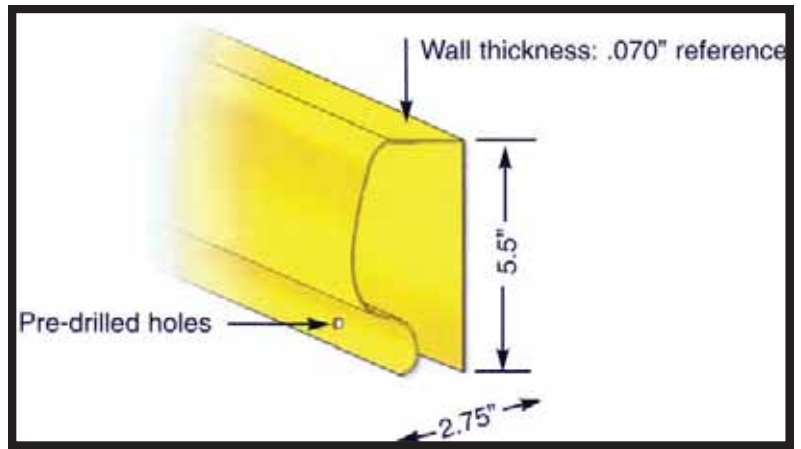
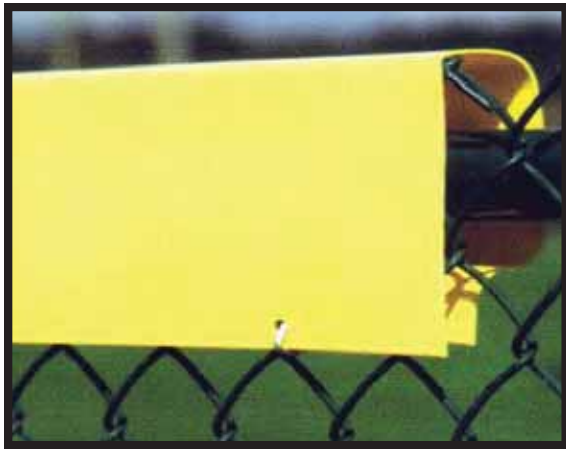
\$70

\$64

\$93

\$88

\$105



## SAFETY TOP CAP—LITE™

- A Lighter, More Affordable Option for an open spec, 2.25"W x 4"H x 8'Long
- 10 - 8' pieces at 80' per bag / 4-hole punched with 40 Black Zip Ties - Included
- 40 bags per crate (3,200' coverage per crate)

**SAFETY YELLOW** (stock color)

80'/BAG 1—39 bags

80'/BAG 40—119 bags

80'/BAG 120+ bags

**BLACK** (stock color)

80'/BAG 1—39 bags

**10 STANDARD COLORS**—Dark Green, Royal Blue, Sky Blue, Red, Redwood, Brown, Beige, Grey, Black, or White. 3,200' minimum (40 bag) order, 4-6 weeks lead time, no returns.

**CUSTOM COLORS**

3,200' minimum (40 bag) order, 6-8 weeks lead time, no returns.



**80' PER BAG**

\$73

\$68

\$63

\$97

\$85

\$102

ALL PRICES SUBJECT TO CHANGE & AVAILABILITY PLUS SHIPPING

# BEAM CLAY®

**WHOLESALE PRICE LIST**  
EFFECTIVE: JANUARY 1, 2017

Foam Guards™ & Safe Foam™ Rail Padding

## FOAM GUARDS™ & SAFE FOAM™ RAIL PADDING

3/4" Thick x 8' Long Closed-Cell, Polyethylene Tubular Padding fits completely around any round pipe or rail 2" or less in diameter. Pre-slit for easy installation. Can be easily cut and mitered in the field for custom fit. No grommets—attach with plastic ties around outside of tube. Use with 3 colored plastic ties per straight length. Durable tough skin coating to prevent wear and UV-breakdown. 5-year manufacturer's warranty. Up to 15 lengths per UPS O.S. Box.

**PREMIUM** - With Tough Skin Coating. Available in Yellow, Green, Red, Royal Blue, Sky Blue, Black, Grey, Purple, 3-5/8" O.D. x 2-1/8" I.D. x 3/4" wall thickness. Yellow in stock. Other colors are custom ordered.

1-19 (8') Lengths	\$4.29/ft.	\$34.32/Length
20 or More (8') Lengths	\$3.85/ft.	\$30.80/Length

**STANDARD** - Without Tough Skin Coating. Yellow only. 3-year manufacturer's warranty.

<b>1" Wall Thickness</b> 1-19 (8') Lengths	\$1.90/ft.	\$15.20/Length
<b>1" Wall Thickness</b> 20 or More (8') Lengths	\$1.75/ft.	\$14.00/Length
<b>2" Wall Thickness</b> 1-19 (8') Lengths	\$3.95/ft.	\$31.60/Length
<b>2" Wall Thickness</b> 20 or More (8') Lengths	\$3.50/ft.	\$28.00/Length

**19" PLASTIC TIES** - Yellow, Green, Red, or Black.

Packs of 100 **\$25/Pack**

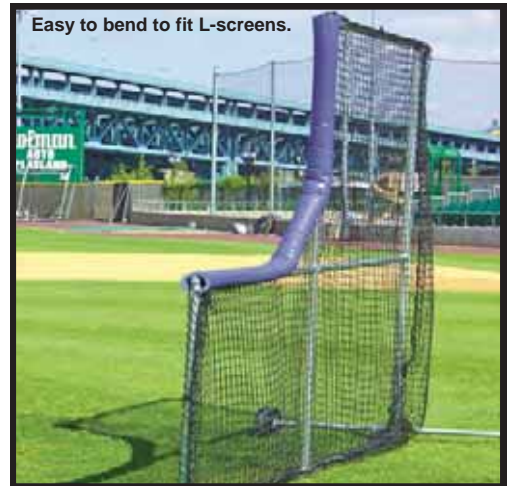
**24" PLASTIC TIES** - Natural/Off White for 2" Thick Pads

Packs of 100 **\$25.95/Pack**

### COLORS:



Safety Yellow, Green Light Blue, Royal Blue, Red, Purple, Gray, Black  
Safety yellow in stock. Other colors are custom ordered.



ALL PRICES SUBJECT TO CHANGE & AVAILABILITY PLUS SHIPPING

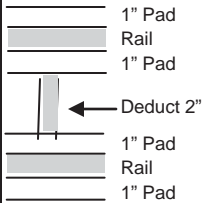
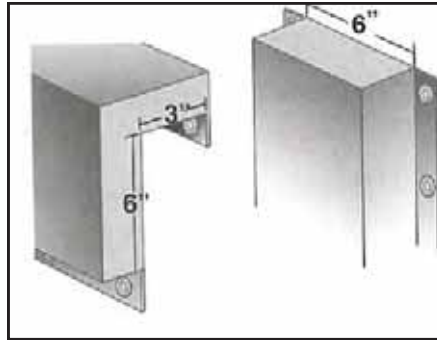
**CHAIN LINK FENCE TOP RAIL AND POST PADS**

Designed to cover the dangerous vertical and horizontal posts and allow for view through the fence. Made of 3" high-density open cell foam fully encased in 18 oz. UV-resistant vinyl. Attach with nylon ties (not included) through grommets every 6".

Chain Link Top Rail Pad, 3" Foam, 9" face, 6" top, 1-1/2" flaps, grommets every 6"

Chain Link Post Pad, 3" Foam, 6" wide w/1-1/2" flaps, grommets every 6"

**Call For Quote**

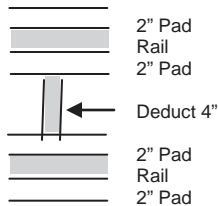


**RAIL GUARDS™  
DUGOUT RAIL PADDING**

1" thick closed-cell polyethylene foam encased in 18 oz. vinyl with grommets every 6" for attachment to up to 3" diameter railing. Flexible enough for 90° angle. Specify color Maple Green, Kelly Green, Royal Blue, Navy Blue, Sky Blue, Red, Orange, Yellow, White, Black, Grey, Tan, Purple, and Maroon.

1"

**Call For Quote**



**RAIL GUARDS™  
RAIL & FENCE-TOP PADDING**

2" thick closed-cell polyethylene foam fully encased in 18 oz. vinyl with grommets every 6" for attachment to up to 3" diameter railing. Being thicker, bunches up somewhat on 90° angle. Specify color Maple Green, Kelly Green, Royal Blue, Navy Blue, Sky Blue, Red, Orange, Yellow, White, Black, Grey, Tan, Purple, and Maroon.

2"

**Call For Quote**



**ALL PRICES SUBJECT TO CHANGE & AVAILABILITY PLUS SHIPPING**